



151x172x51mm A15C51T Series AC Axial Fan



Specification:

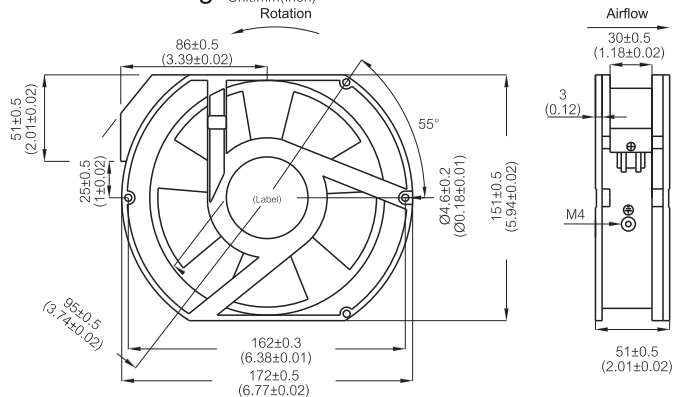
Air Flow	99 ~ 230 CFM
Housing	Die-Cast Aluminum, Painted Black
Impeller	Thermoplastic PBT, UL94V-0
Bearing	Ball
Termination	Terminals or Lead Wire
Operating Voltage Range	85VAC to 125VAC for 115V Type 185VAC to 245 VAC for 230V Type
Insulation	Class "B" or "F"
Safety	Thermally protected (Auto Restart)/ Impedance Protected
Operating Temperature	-20°C to + 80°C
Weight	875g

Item Code	Rated Voltage	Frequency (Hz)	Rated Current(A)	Input Power(W)	Speed (RPM)	Air Flow (CFM)	Air Flow (m³/min)	Static Pressure (inch-H ₂ O)	Noise dB(A)
A1V15C51TBL-1C	115V	50/60	0.22/0.28	25/31	2900/3300	198/226	5.60/6.40	0.66/0.40	57/61
A2V15C51TBL-1C	230V	50/60	0.11/0.15	25/32	2900/3300	198/230	5.60/6.50	0.66/0.64	57/61
A1V15C51TBL-4C	115V	50/60	0.15/0.15	17/16	1455/1470	99/118	2.80/3.40	0.18/0.26	39/45
A2V15C51TBL-4C	230V	50/60	0.06/0.07	14/14	1455/1735	99/119	2.80/3.40	0.18/0.25	39/44



For "Terminal" version, change the "L" in the model number to "T"
CSA Mark is for "Terminal" version Model only

Outline Drawing: Unit:mm(Inch)



Characteristic Curves:

