



# 151x172x51mm A15C51T Series AC Axial Fan



## Specification:

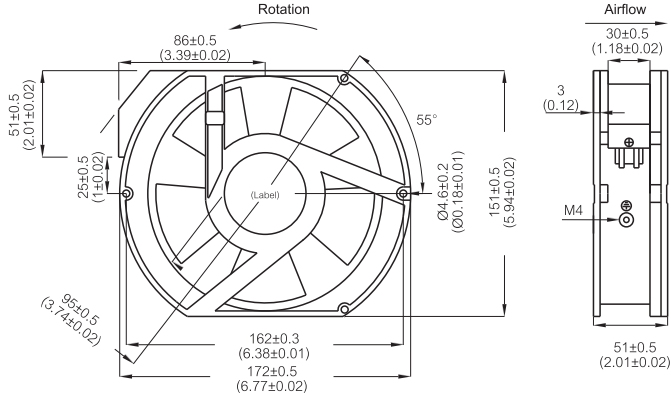
Air Flow	178 ~ 212 CFM
Housing	Die-Cast Aluminum, Painted Black
Impeller	Thermoplastic PBT, UL94V-0
Bearing	Ball
Termination	Terminals or Lead Wire
Operating Voltage Range	85VAC to 125VAC for 115V Type 185VAC to 245 VAC for 230V Type
Insulation	Class "B" or "F"
Safety	Thermally protected (Auto Restart)/ Impedance Protected
Operating Temperature	-20°C to + 80°C
Weight	875g



Item Code	Rated Voltage	Frequency (Hz)	Rated Current(A)	Input Power(W)	Speed (RPM)	Air Flow (CFM)	Air Flow (m³/min)	Static Pressure (inch-H <sub>2</sub> O)	Noise dB(A)
A1V15C51TBL-1U	115V	50/60	0.76/0.53	47/36	2800/3300	178/210	5.00/5.90	0.56/0.37	54/58
A2V15C51TBL-1U	230V	50/60	0.41/0.29	51/39	2800/3300	183/212	5.20/6.00	0.56/0.37	54/58

For "Terminal" version, change the "L" in the model number to "T"

## Outline Drawing: Unit:mm(Inch)



## Characteristic Curves:

