



127x127x38mm A13C38T Series AC Axial Fan



Specification:

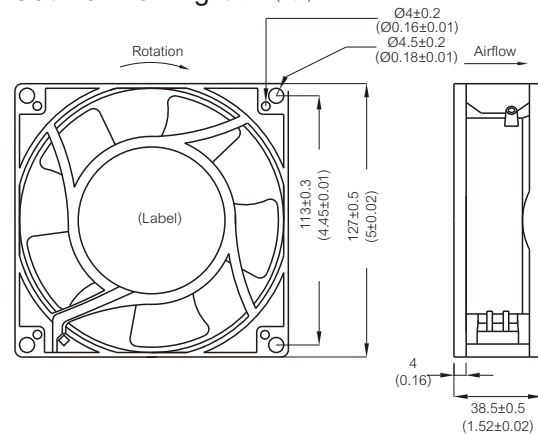
| | |
|-------------------------|--|
| Air Flow | 107 ~ 123 CFM |
| Housing | Die-Cast Aluminum, Painted Black |
| Impeller | Thermoplastic PBT, UL94V-0 |
| Bearing | Ball or Sleeve |
| Termination | Terminals or Lead Wire |
| Operating Voltage Range | 85VAC to 125VAC for 115V Type 185VAC to 245 VAC for 230V Type |
| Insulation | Class "B" or "F" |
| Safety | Impedance Protected |
| Operating Temperature | -10°C to + 70°C for Sleeve Type -20°C to + 80°C for Ball Type |
| Weight | 562g |



| Item Code | Bearing Availability | Rated Voltage | Frequency (Hz) | Rated Current(A) | Input Power(W) | Speed (RPM) | Air Flow (CFM) | Air Flow (m³/min) | Static Pressure (inch-H ₂ O) | Noise dB(A) |
|---------------|----------------------|---------------|----------------|------------------|----------------|-------------|----------------|-------------------|---|-------------|
| A1V13C38TBL-1 | B,S | 115V | 50/60 | 0.32/0.26 | 24/20 | 2700/3100 | 107/123 | 3.00/3.40 | 0.33/0.39 | 47/50 |
| A2V13C38TBL-1 | B,S | 230V | 50/60 | 0.16/0.13 | 25/20 | 2700/3100 | 107/123 | 3.00/3.40 | 0.33/0.39 | 47/50 |

For "Sleeve" bearing version, change the "B" in the model number to "S".
For "Terminal" version, change the "L" in the model number to "T"

Outline Drawing: Unit:mm(Inch)



Characteristic Curves:

