

# 150x170x55mm A15C55T Series AC Axial Fan



### Specification:

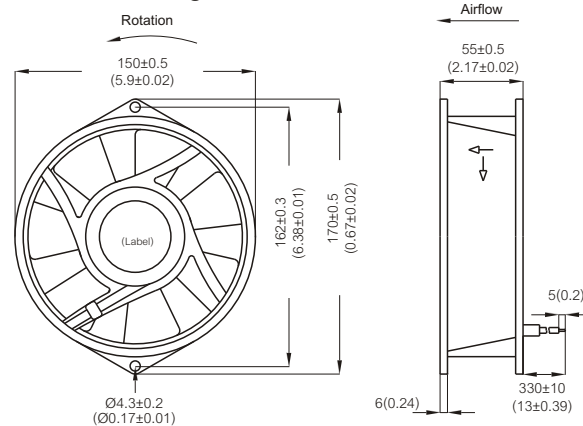
|                         |  |
|-------------------------|--|
| Air Flow                | 202 ~ 239 CFM  |
| Housing                 | Die-Cast Aluminum, Painted Black                                 |
| Impeller                | Injection Molded of Flame Retardant Polycarbonate, Black         |
| Bearing                 | Ball   |
| Termination             | Lead Wire  |
| Operating Voltage Range | 85VAC to 125VAC for 115V Type<br>185VAC to 245 VAC for 230V Type |
| Insulation              | Class "B" or "F"   |
| Safety                  | Thermally Protected (Auto Restart)                               |
| Operating Temperature   | -20°C to + 80°C  |
| Weight                  | 1000g  |

(Reverse Blow)



| Item Code      | Rated Voltage | Frequency (Hz) | Rated Current(A) | Input Power(W) | Speed (RPM) | Air Flow (CFM) | Air Flow (m <sup>3</sup> /min) | Static Pressure (inch-H <sub>2</sub> O) | Noise dB(A) |
|----------------|---------------|----------------|------------------|----------------|-------------|----------------|--------------------------------|---|-------------|
| A1V15C55TBL-1C | 115V          | 50/60          | 0.34/0.38        | 38/44          | 2900/3400   | 204/235        | 5.80/6.70                      | 0.58/0.74                               | 57/61       |
| A2V15C55TBL-1C | 230V          | 50/60          | 0.17/0.19        | 37/43          | 2900/3400   | 202/239        | 5.70/6.80                      | 0.58/0.74                               | 57/61       |

### Outline Drawing: Unit:mm(Inch)



### Characteristic Curves:

