



# 160x160x62mm A16C62T Series AC Axial Fan



### Specification:

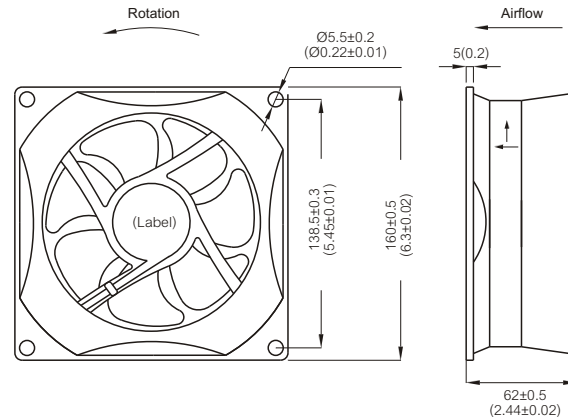
Air Flow	239 ~ 288 CFM
Housing	Die-Cast Aluminum, Painted Black
Impeller	Injection Molded of Flame Retardant Polycarbonate, Black
Bearing	Ball
Termination	Terminals or Lead Wire
Operating Voltage Range	85VAC to 125VAC for 115V Type 185VAC to 245 VAC for 230V Type
Insulation	Class "B" or "F"
Safety	Thermally Protected (Auto Restart)
Operating Temperature	-20°C to + 80°C
Weight	1400g



Item Code	Rated Voltage	Frequency (Hz)	Rated Current(A)	Input Power(W)	Speed (RPM)	Air Flow (CFM)	Air Flow (m³/min)	Static Pressure (inch-H <sub>2</sub> O)	Noise dB(A)
A1V16C62TBL-1CF	115V	50/60	0.45/0.50	51/57	2900/3400	241/285	6.80/8.10	0.54/0.74	51/56
A2V16C62TBL-1CF	230V	50/60	0.23/0.24	50/55	2900/3500	239/288	6.70/8.20	0.54/0.74	51/56

For "Terminal" version, change the "L" in the model number to "T"

### Outline Drawing: Unit:mm(Inch)



### Characteristic Curves:

