



Ø170x51mm A17C51T Series AC Axial Fan



Specification:

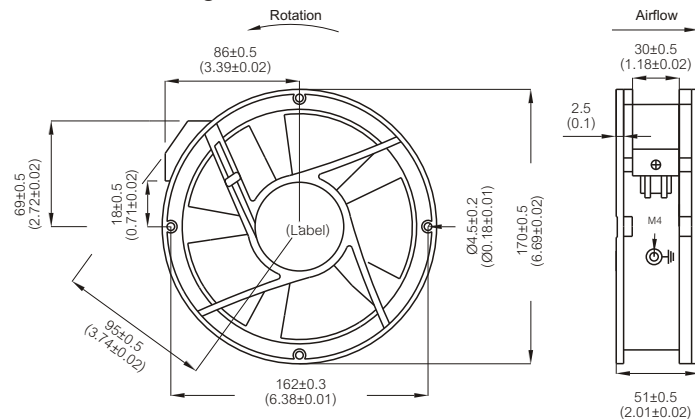
Air Flow	100 ~ 225 CFM
Housing	Die-Cast Aluminum, Painted Black
Impeller	Thermoplastic PBT, UL94V-0
Bearing	Ball
Termination	Terminals or Lead Wire
Operating Voltage Range	85VAC to 125VAC for 115V Type 185VAC to 245 VAC for 230V Type
Insulation	Class "B" or "F"
Safety	Thermally protected (Auto Restart)
Operating Temperature	-20°C to + 80°C
Weight	875g

Item Code	Rated Voltage	Frequency (Hz)	Rated Current(A)	Input Power(W)	Speed (RPM)	Air Flow (CFM)	Air Flow (m³/min)	Static Pressure (inch-H ₂ O)	Noise dB(A)
A1V17C51TBL-1C	115V	50/60	0.22/0.28	25/31	2900/3400	195/225	5.57/6.42	0.61/0.39	57/61
A2V17C51TBL-1C	230V	50/60	0.11/0.14	24/30	2900/3300	195/225	5.57/6.42	0.61/0.66	57/61
A1V17C51TBL-4C	115V	50/60	0.15/0.15	17/16	1450/1750	100/121	2.83/3.41	0.18/0.25	39/44
A2V17C51TBL-4C	230V	50/60	0.06/0.06	14/13	1450/1750	101/120	2.85/3.41	0.18/0.25	39/44



For "Terminal" version, change the "L" in the model number to "T"
UL safety approval is for "Terminal" model version only.

Outline Drawing: Unit:mm(Inch)



Characteristic Curves:

