



# 180x180x90mm A18C90T Series AC Axial Fan



### Specification:

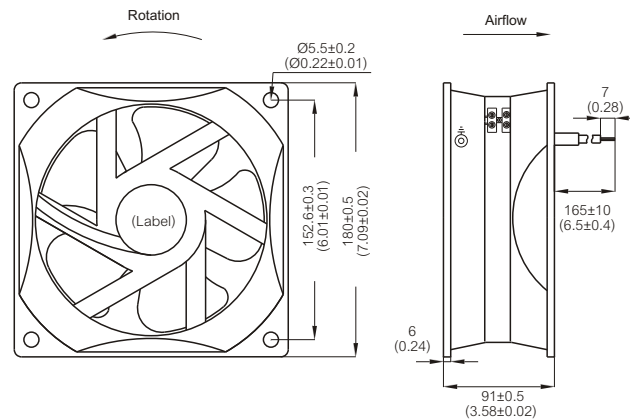
|                         |  |
|-------------------------|--|
| Air Flow                | 376 ~ 434 CFM  |
| Housing                 | Die-Cast Aluminum, Painted Black                                 |
| Impeller                | Injection Molded of Flame Retardant Polycarbonate, Black         |
| Bearing                 | Ball   |
| Termination             | Terminals or Lead Wire   |
| Operating Voltage Range | 85VAC to 125VAC for 115V Type<br>185VAC to 245 VAC for 230V Type |
| Insulation              | Class "B" or "F"   |
| Safety                  | Thermally protected (Auto Restart)                               |
| Operating Temperature   | -20°C to + 80°C  |
| Weight                  | 1600g  |



| Item Code      | Rated Voltage | Frequency (Hz) | Rated Current(A) | Input Power(W) | Speed (RPM) | Air Flow (CFM) | Air Flow (m³/min) | Static Pressure (inch-H <sub>2</sub> O) | Noise dB(A) |
|----------------|---------------|----------------|------------------|----------------|-------------|----------------|-------------------|---|-------------|
| A1V18C90TBL-1C | 115V          | 50/60          | 0.47/0.66        | 57/77          | 2800/3000   | 376/409        | 10.60/11.60       | 0.64/0.67                               | 58/61       |
| A2V18C90TBL-1C | 230V          | 50/60          | 0.25/0.33        | 58/76          | 2800/3200   | 378/434        | 10.70/12.30       | 0.79/0.73                               | 58/62       |

For "Terminal" version, change the "L" in the model number to "T"

### Outline Drawing: Unit:mm(Inch)



### Characteristic Curves:

