



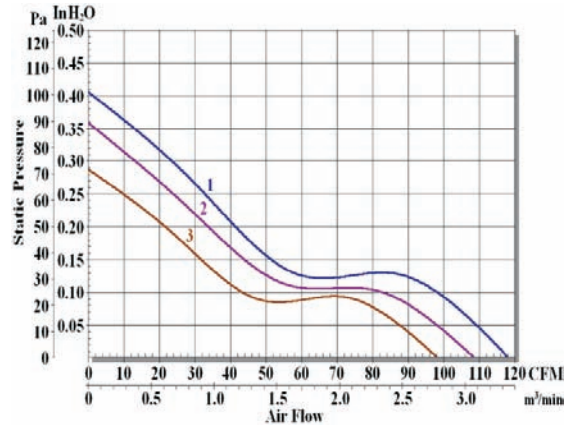
AD120-38T Series

DC Axial Fan

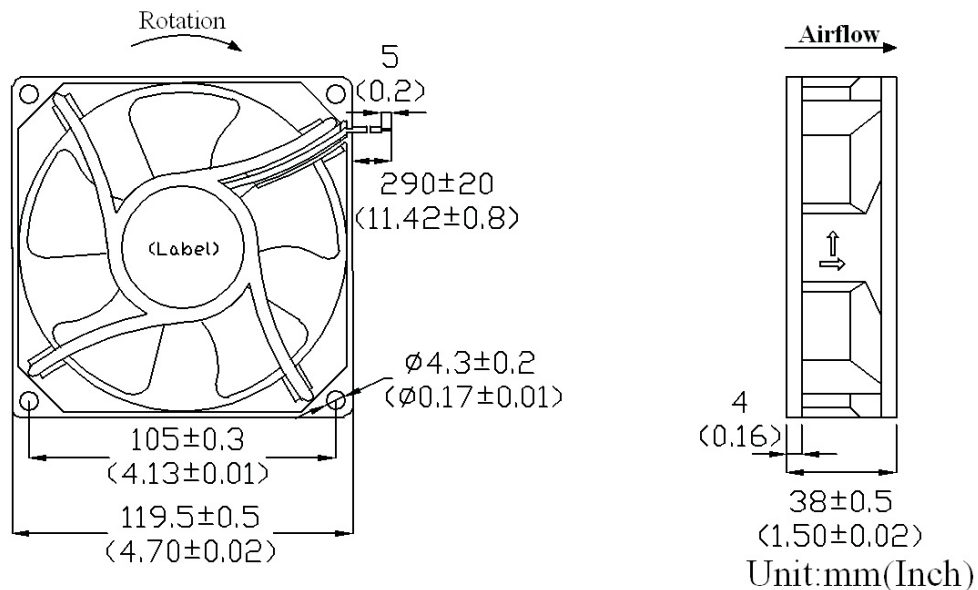
120x120x38mm

Specification:

- **Air Flow** : 98 ~ 115 CFM
- **Housing** : Thermoplastic PBT, UL94V-0
- **Impeller** : Thermoplastic PBT, UL94V-0
- **Bearing** : Ball or Sleeve
- **Termination** : Lead Wire UL 1007 AWG#24 or Equivalent
Red Wire Positive (+); Black Wire Negative (-);
Yellow Wire Function (3)
- **Operating Temperature** : -10°C to + 70°C for Sleeve Type
-20°C to + 80°C for Ball Type
- **Weight** : 320g
- **Function** :
P: Protection (Automatic restart when lock up removed)
A: Alarm (optional)



Outline Dimension



Item Code	Rated Voltage	Rated Current (A)	Input Power (W)	Speed RPM	Max. Air Flow		Noise dB(A)
					CFM	m ³ /min	
AD12V120-38T-FPH-B5-N1P	12V	0.90	11.0	3200	118	3.33	50
AD12V120-38T-FPH-B5-N2P	12V	0.67	8.0	2900	108	3.06	47
AD12V120-38T-FPH-B5-N3P	12V	0.50	6.0	2600	98	2.78	43
AD24V120-38T-FPH-B5-N1P	24V	0.42	10.0	3200	118	3.33	50
AD24V120-38T-FPH-B5-N2P	24V	0.32	7.7	2900	108	3.06	47
AD24V120-38T-FPH-B5-N3P	24V	0.24	5.8	2600	98	2.78	43
AD48V120-38T-FPH-B5-N1P	48V	0.21	10.0	3200	118	3.33	50
AD48V120-38T-FPH-B5-N2P	48V	0.16	7.7	2900	108	3.06	47
AD48V120-38T-FPH-B5-N3P	48V	0.13	6.3	2600	98	2.78	43