



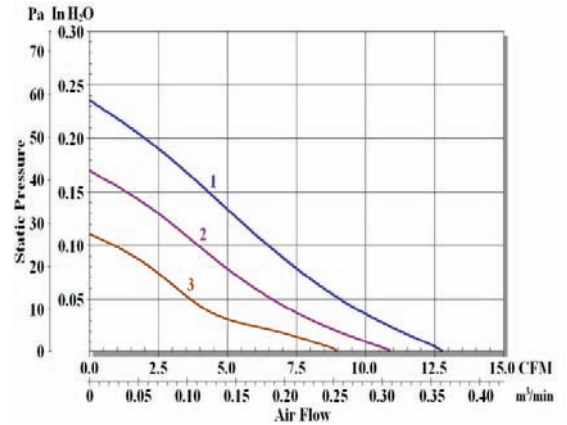
AD52-15T Series

DC Axial Fan

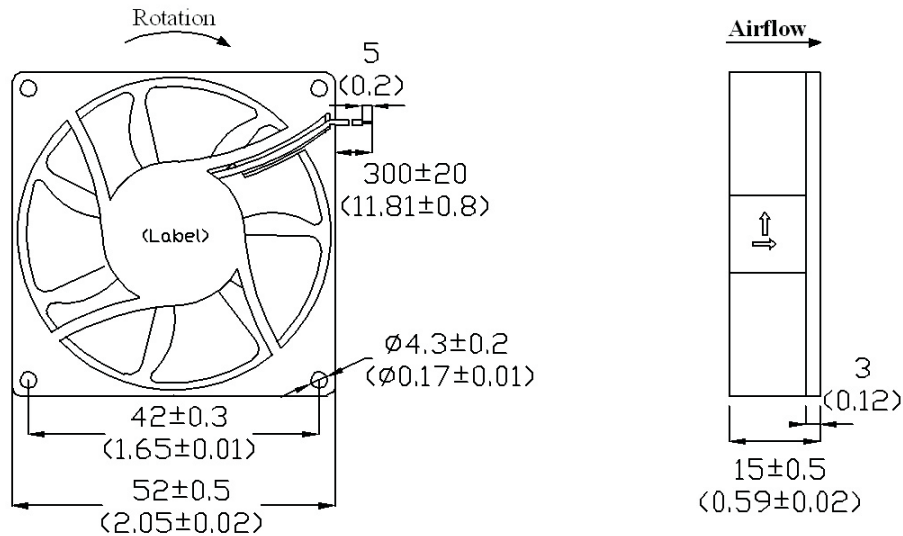
52x52x15mm

Specification:

- **Air Flow** : 9 ~ 13 CFM
- **Housing** : Thermoplastic PBT, UL94V-0
- **Impeller** : Thermoplastic PBT, UL94V-0
- **Bearing** : Ball or Sleeve
- **Termination** : Lead Wire UL2468 AWG#26 or Equivalent
Red Wire Positive (+); Black Wire Negative (-);
Yellow Wire Function (3)
- **Operating Temperature** : -10°C to + 70°C for Sleeve Type
-20°C to + 80°C for Ball Type
- **Weight** : 33.6g
- **Function** : *Function type is optional*
P: Protection (Automatic restart when lock up removed)
A: Alarm
I: Inspect



Outline Dimension



Unit:mm(Inch)

Item Code	Rated Voltage	Rated Current (A)	Input Power (W)	Speed RPM	Max. Air Flow		Noise dB(A)
					CFM	m ³ /min	
AD05V52-15T-FPH-B7-N1	5V	0.21	1.1	6000	13	0.36	38
AD05V52-15T-FPH-B7-N2	5V	0.15	0.8	5000	11	0.31	32
AD05V52-15T-FPH-B7-N3	5V	0.10	0.5	4000	9	0.25	26
AD12V52-15T-FPH-B7-N1	12V	0.11	1.4	6000	13	0.36	38
AD12V52-15T-FPH-B7-N2	12V	0.09	1.1	5000	11	0.31	32
AD12V52-15T-FPH-B7-N3	12V	0.07	0.8	4000	9	0.25	26
AD24V52-15T-FPH-B7-N1	24V	0.06	1.5	6000	13	0.36	38
AD24V52-15T-FPH-B7-N2	24V	0.05	1.2	5000	11	0.31	32