



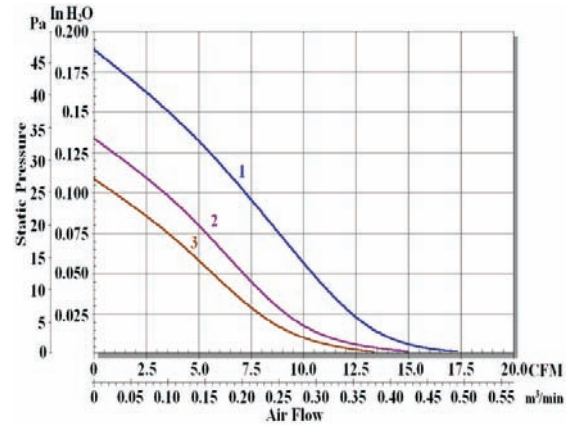
## AD60-15T Series

DC Axial Fan

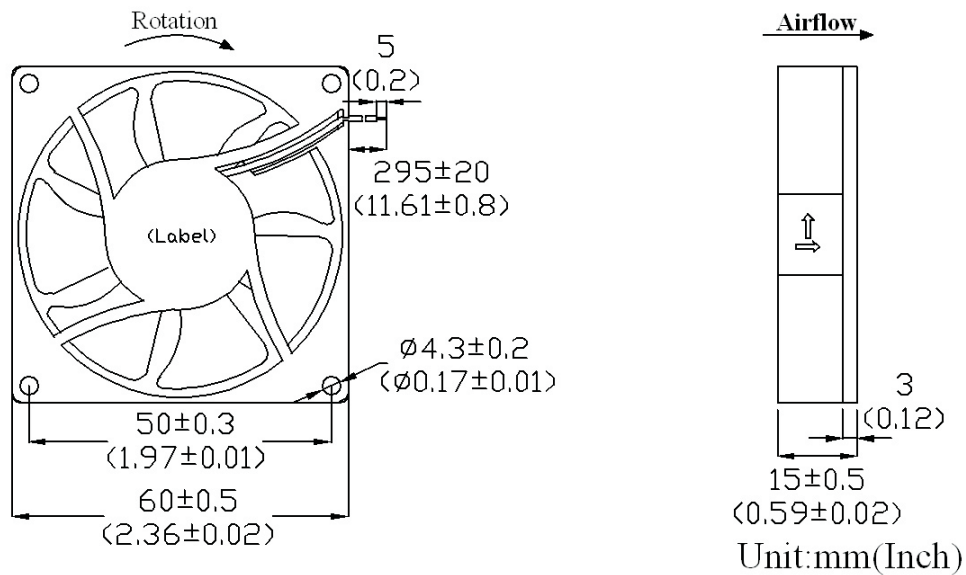
60x60x15mm

### Specification:

- **Air Flow** : 13 ~ 17 CFM
- **Housing** : Thermoplastic PBT, UL94V-0
- **Impeller** : Thermoplastic PBT, UL94V-0
- **Bearing** : Ball or Sleeve
- **Termination** : Lead Wire UL2468 AWG#26 or Equivalent  
Red Wire Positive (+); Black Wire Negative (-);  
Yellow Wire Function (3)
- **Operating Temperature** : -10°C to + 70°C for Sleeve Type  
-20°C to + 80°C for Ball Type
- **Weight** : 38.2g
- **Function** : *Function type is optional*  
P: Protection (Automatic restart when lock up removed)  
A: Alarm  
I: Inspect



### Outline Dimension



| Item Code             | Rated Voltage | Rated Current (A) | Input Power (W) | Speed RPM | Max. Air Flow |                     | Noise dB(A) |
|-----------------------|---------------|-------------------|-----------------|-----------|---------------|---------------------|-------------|
|                       |               |                   |                 |           | CFM           | m <sup>3</sup> /min |             |
| AD05V60-15T-FPH-B7-N1 | 5V            | 0.28              | 1.4             | 4500      | 17            | 0.49                | 37          |
| AD05V60-15T-FPH-B7-N2 | 5V            | 0.18              | 0.9             | 3900      | 15            | 0.42                | 32          |
| AD05V60-15T-FPH-B7-N3 | 5V            | 0.13              | 0.7             | 3300      | 13            | 0.37                | 28          |
| AD12V60-15T-FPH-B7-N1 | 12V           | 0.13              | 1.6             | 4500      | 17            | 0.49                | 37          |
| AD12V60-15T-FPH-B7-N2 | 12V           | 0.09              | 1.1             | 3900      | 15            | 0.42                | 32          |
| AD12V60-15T-FPH-B7-N3 | 12V           | 0.07              | 0.9             | 3300      | 13            | 0.37                | 28          |
| AD24V60-15T-FPH-B7-N1 | 24V           | 0.08              | 1.9             | 4500      | 17            | 0.49                | 37          |
| AD24V60-15T-FPH-B7-N2 | 24V           | 0.06              | 1.4             | 3900      | 15            | 0.42                | 32          |