



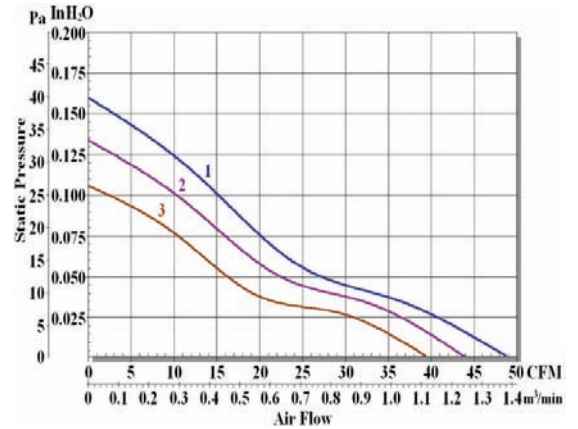
92x92x25mm

AD92-25T Series

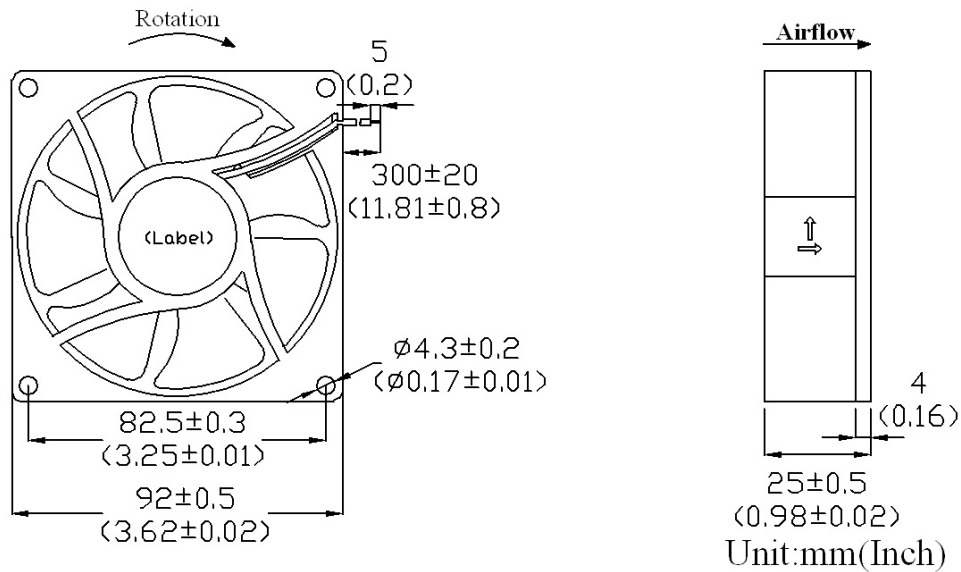
DC Axial Fan

Specification:

- **Air Flow** : 39 ~ 48 CFM
- **Housing** : Thermoplastic PBT, UL94V-0
- **Impeller** : Thermoplastic PBT, UL94V-0
- **Bearing** : Ball or Sleeve
- **Termination** : Lead Wire UL 1007 AWG#24 or Equivalent
Red Wire Positive (+); Black Wire Negative (-);
Yellow Wire Function (3)
- **Operating Temperature** : -10°C to + 70°C for Sleeve Type
-20°C to + 80°C for Ball Type
- **Weight** : 115g
- **Function** : *Function type is optional*
P: Protection (Automatic restart when lock up removed)
A: Alarm
I: Inspect



Outline Dimension



Item Code	Rated Voltage	Rated Current (A)	Input Power (W)	Speed RPM	Max. Air Flow		Noise dB(A)
					CFM	m ³ /min	
AD12V92-25T-FPH-B7-N1	12V	0.20	2.4	2900	48	1.37	37
AD12V92-25T-FPH-B7-N2	12V	0.15	1.8	2700	44	1.25	35
AD12V92-25T-FPH-B7-N3	12V	0.12	1.5	2400	39	1.11	32
AD24V92-25T-FPH-B7-N1	24V	0.11	2.6	2900	48	1.37	37
AD24V92-25T-FPH-B7-N2	24V	0.09	2.2	2700	44	1.25	35
AD24V92-25T-FPH-B7-N3	24V	0.08	1.9	2400	39	1.11	32
AD48V92-25T-FPH-B7-N1	48V	0.09	4.3	2900	48	1.37	37
AD48V92-25T-FPH-B7-N2	48V	0.08	3.9	2700	44	1.25	35
AD48V92-25T-FPH-B7-N3	48V	0.07	3.4	2400	39	1.11	32