



Ø155x95mm BA155-95T Series AC Centrifugal Fan



Specification:

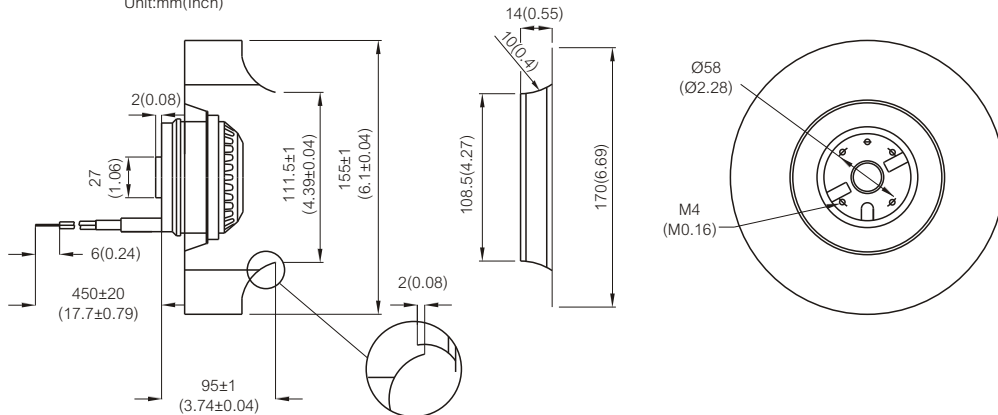
| | |
|-------------------------|--|
| Air Flow | 234 ~ 273 CFM |
| Impeller | Plastic PA (Polyamide Glass-fiber Reinforced) |
| Motor | Capacitor-Run Induction and External Rotor Motor |
| Rotor | Black Paint |
| Bearing | Dual Ball Bearing, Permanently Lubricated |
| Operating Voltage Range | 85VAC to 125VAC for 115V Type 185VAC to 245 VAC for 230V Type |
| Lead Wire | AWG# 18 UL |
| Insulation | Class "B" or "F" |
| Safety | Thermally Protected (Auto Restart) |
| Operating Temperature | -20°C to +70°C |
| Weight | 1200g |



| Item Code | Rated Voltage | Frequency (Hz) | Rated Current(A) | Input Power(W) | Speed (RPM) | Air Flow (CFM) | Air Flow (m³/min) | Static Pressure (inch-H ₂ O) | Noise dB(A) | Capacitor (µF) |
|-----------------------|---------------|----------------|------------------|----------------|-------------|----------------|-------------------|---|-------------|----------------|
| BA1V155-95T-FPA-B7-2C | 115V | 50/60 | 0.34/0.34 | 34/39 | 2720/3120 | 234/270 | 6.6/7.6 | 0.95/1.31 | 62/65 | 4µF 200VAC |
| BA2V155-95T-FPA-B7-2C | 230V | 50/60 | 0.17/0.18 | 34/40 | 2730/3130 | 238/273 | 6.7/7.7 | 0.93/1.22 | 62/65 | 1µF 400VAC |

Outline Drawing:

Unit:mm(Inch)



Characteristic Curves:

