

220x220x56mm BA22C56T Series AC BLOWER



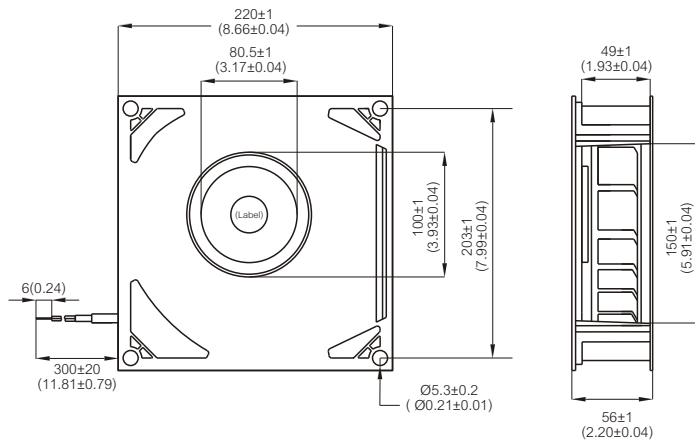
Specification:

Air Flow	103~ 120 CFM
Housing	Spiral Housing of Fiberglass-Reinforced Polycarbonate Housing Base of Galvanized Steel Plate
Impeller	Thermoplastic PBT, UL94V-0
Bearing	Ball
Termination	Lead Wire
Operating Voltage Range	85VAC to 125VAC for 115V Type 185VAC to 245 VAC for 230V Type
Insulation	Class "B" or "F"
Safety	Thermally Protected (Auto Restart)
Operating Temperature	-20°C to + 80°C for Ball Type
Weight	1750g



Item Code	Bearing Availability	Rated Voltage	Frequency (Hz)	Rated Current(A)	Input Power(W)	Speed (RPM)	Air Flow (CFM)	Air Flow (m³/min)	Static Pressure (inch-H ₂ O)	Noise dB(A)
BA1V22C56TBL-1C	B	115V	50/60	0.34/0.42	37/45	2900/3300	103/117	2.92/3.32	1.33/1.88	64/66
BA2V22C56TBL-1C	B	230V	50/60	0.16/0.20	36/44	3300/3300	104/120	2.94/3.39	1.33/1.88	64/66

Outline Drawing: Unit:mm(Inch)



Characteristic Curves:

