



Ø250x112mm BA250-112T Series AC Centrifugal Fan



Specification:

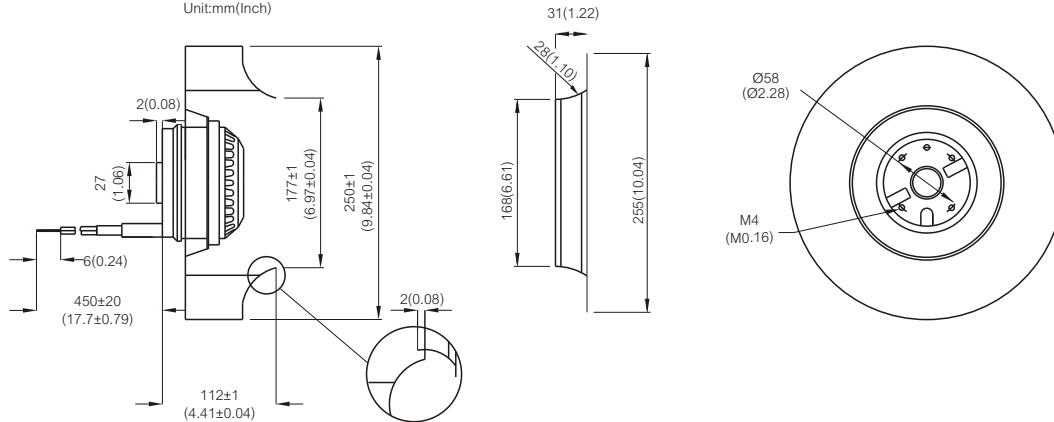
Air Flow	945 ~ 1024 CFM
Impeller	Plastic PA (Polyamide Glass-fiber Reinforced)
Motor	Capacitor-Run Induction and External Rotor Motor
Rotor	Black Paint
Bearing	Dual Ball Bearing, Permanently Lubricated
Operating Voltage Range	85VAC to 125VAC for 115V Type 185VAC to 245 VAC for 230V Type
Lead Wire	AWG# 18 UL
Insulation	Class "B" or "F"
Safety	Thermally Protected (Auto Restart)
Operating Temperature	-20°C to +60°C
Weight	2700g



Item Code	Rated Voltage	Frequency (Hz)	Rated Current(A)	Input Power(W)	Speed (RPM)	Air Flow (CFM)	Air Flow (m³/min)	Static Pressure (inch-H ₂ O)	Noise dB(A)	Capacitor (µF)
BA1V250-112T-FPA-B7-2C	115V	50/60	1.44/1.98	164/222	2500/2700	945/1011	26.8/28.6	2.41/3.08	74/75	20µF 200VAC
BA2V250-112T-FPA-B7-2C	230V	50/60	0.72/0.98	164/220	2500/2700	947/1024	26.8/29.0	2.42/3.06	74/75	5µF 400VAC

Outline Drawing:

Unit:mm(Inch)



Characteristic Curves:

