



# Ø250x99mm BA250-99T Series AC Centrifugal Fan



### Specification:

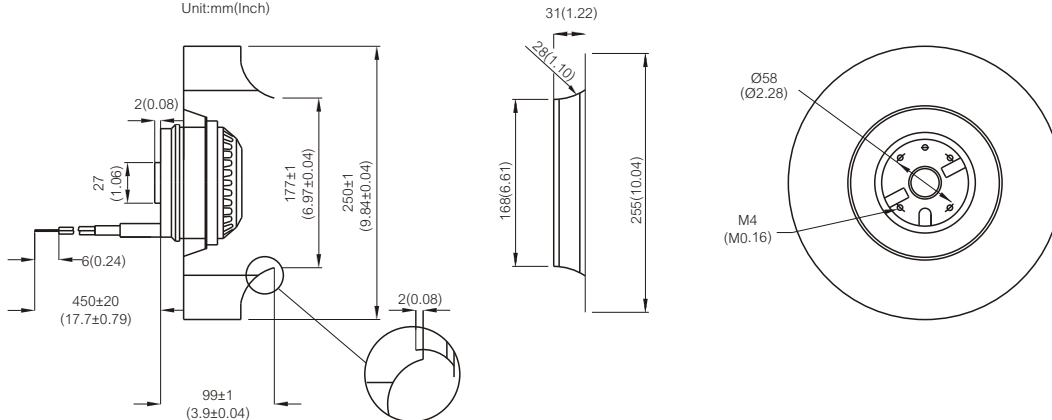
Air Flow	824 ~ 909 CFM
Impeller	Plastic PA (Polyamide Glass-fiber Reinforced)
Motor	Capacitor-Run Induction and External Rotor Motor
Rotor	Black Paint
Bearing	Dual Ball Bearing, Permanently Lubricated
Operating Voltage Range	85VAC to 125VAC for 115V Type 185VAC to 245 VAC for 230V Type
Lead Wire	AWG# 18 UL
Insulation	Class "B" or "F"
Safety	Thermally Protected (Auto Restart)
Operating Temperature	-20°C to +60°C
Weight	2670g



Item Code	Rated Voltage	Frequency (Hz)	Rated Current(A)	Input Power(W)	Speed (RPM)	Air Flow (CFM)	Air Flow (m³/min)	Static Pressure (inch-H <sub>2</sub> O)	Noise dB(A)	Capacitor (µF)
BA1V250-99T-FPA-B7-2C	115V	50/60	1.35/1.86	152/207	2550/2800	824/909	23.3/25.7	2.40/3.09	72/75	20µF 200VAC
BA2V250-99T-FPA-B7-2C	230V	50/60	0.68/0.94	151/207	2550/2800	824/909	23.3/25.7	2.37/3.07	74/75	5µF 400VAC

### Outline Drawing:

Unit:mm(Inch)



### Characteristic Curves:

