



Ø140x100mm CA140-100T Series AC Centrifugal Blower



Specification:

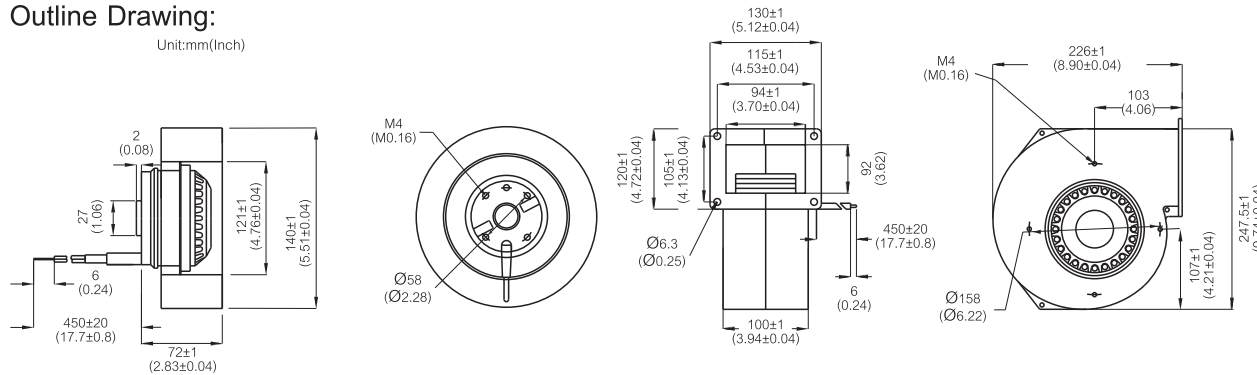
Air Flow	290~ 295 CFM
Impeller	Die-cast Aluminum Housing Galvanised Sheet Steel Impeller
Motor	Capacitor-Run Induction and External Rotor Motor
Rotor	Black Paint
Bearing	Dual Ball Bearing, Permanently Lubricated
Operating Voltage Range	85VAC to 125VAC for 115V Type 185VAC to 245 VAC for 230V Type
Lead Wire	AWG# 20 UL
Insulation	Class "B" or "F"
Safety	Thermally Protected (Auto Restart)
Operating Temperature	1V→ -20°C to +60°C; 2V→ -20°C to +40°C
Weight	3350g



Item Code	Rated Voltage	Frequency (Hz)	Rated Current(A)	Input Power(W)	Speed (RPM)	Air Flow (CFM)	Air Flow (m³/min)	Static Pressure (inch-H ₂ O)	Noise dB(A)	Capacitor (μF)
CA1V140-100T-FMG-B38-1C	115V	50/60	1.35/1.78	155/200	2400/2450	290/295	8.21/8.35	1.60/2.25	70/70	16μF 200VAC
CA2V140-100T-FMG-B38-1C	230V	50/60	0.67/0.89	155/200	2400/2450	290/295	8.21/8.35	1.60/2.25	70/70	4μF 400VAC

Outline Drawing:

Unit:mm(Inch)



Characteristic Curves:

